

N° 9086



A.D. 1914

Date of Application, 9 h Apr., 1914—Accepted, 8th July, 1915

COMPLETE SPECIFICATION.

**Improvements in and relating to Sound Recording and  
Reproducing Apparatus.**

We, the Firm APPLAUDANDO-SCHALLPLATTENFABRIK G.M.B.H., of Halle on the Saale, Saxony, Germany, Manufacturers, and GUSTAV TOBIAS, of Halle on the Saale, Dessauerstr. 6A, Germany, Manager, do hereby declare the nature of this invention and in what manner the same is to be performed, to be particularly  
5 described and ascertained in and by the following statement:—

This invention relates to sound recording and reproducing apparatus of the type in which the driving mechanism is enclosed in a box in order to protect the said mechanism when being conveyed from one place to another.

10 In designing and constructing sound-recording and reproducing apparatus attempts have already been made to reduce the drawbacks resulting from the size of existing sound recording and reproducing apparatus and consisting in a high cost of manufacture and considerable carriage and packing expenses. In designing these apparatus it has been suggested to position the driving mechanism within a metal casing, said casing being arranged in a wooden box  
15 and bolted thereto.

The object of the present invention is to provide a compact and miniature arrangement whereby it is possible to pack the machine and especially the horn into a lockable and easily transportable box in order that a person may not be inconvenienced when taking the machine on journeys, picnics *etc.*

20 With this object in view the invention consists in so selecting the respective dimensions of the sound-recording and reproducing apparatus that at least the widest section of the divided sound horn may be placed over the clockwork or playing mechanism of the apparatus, when the latter is not in use, so that the apparatus takes up the smallest possible space and that its external appearance  
25 is not that of a gramophone or other sound reproducing apparatus, but for instance that of a camera for taking photographs. The remaining parts of the sound horn which can be taken to pieces are accommodated in the usual manner also inside the casing.

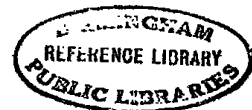
30 One form of carrying the invention into effect is shown by way of example in the accompanying drawings, in which:—

Fig. 1 is a diagrammatic sectional view of the sound-recording and reproducing apparatus with the lid of the box half opened, illustrating the relative positions of the fittings placed inside the said box, when the apparatus is not in use.

35 Fig. 2 is a similar view showing the inverted box of the apparatus ready for use with the record holder in position.

The main parts of the sound-recording and reproducing apparatus *a* illustrated in the drawings are of usual design, the general arrangement and dimensions of the improved apparatus, however, being such that the sound horn or trumpet, *i.e.* at least the widest section *f* of the same may be placed over the clockwork  
40 when the apparatus is not in use. The clockwork is regulated in the usual manner by means of a hand operated lever *b*, and is wound up by a key which is placed on a spindle *c*. In order to enable the sound horn to be placed inverted over the clockwork the hand lever *b* is arranged in a recess *i* provided in the bottom plate *d* of the box. The sound horn itself may be placed flat on the

[Price 6d.]



*Improvements in and relating to Sound Recording and Reproducing Apparatus.*

bottom of the box. The second section *g* of the sound horn or trumpet together with the mouth piece and at the same time also the sound arm *h*, are accommodated in the side portions of the casing. When the apparatus is not in use the record holder *k* may be placed on the smaller opening of the widest sound horn section. A dove tail shaped guide *o* is provided in the proximity of the bottom for the support for the sound horn. 5

Having now particularly described and ascertained the nature of our said invention, and in what manner the same is to be performed, we declare that what we claim is:—

1. A sound recording and reproducing apparatus of the type referred to hereinbefore, comprising a clockwork or playing mechanism arranged in a suitable casing, said casing permitting of the widest section of a sound horn or trumpet being placed over the said playing mechanism for packing purposes, substantially as described. 10

2. A sound recording and reproducing apparatus of the type referred to hereinbefore, the provision of a lid or cover hinged to the box in which the clockwork or driving mechanism is attached thereto and a temporary covering for said mechanism in the form of a sound horn or trumpet, for protecting the playing mechanism during transit, said sound horn being retained inside the box by a guide member, and the other portions of the sound horn or trumpet being placed conveniently around the covering portion of said horn or trumpet, substantially as described. 15 20

3. The improved sound recording and reproducing apparatus, constructed substantially as hereinbefore described and as illustrated in the accompanying drawings. 25

Dated this 6th day of April, 1914.

MARKS & CLERK.

APPLAUDANDO-SCHALLPLATTENFABRIK GES. & another's COMPLETE SPECIFICATION.

Fig. 1.

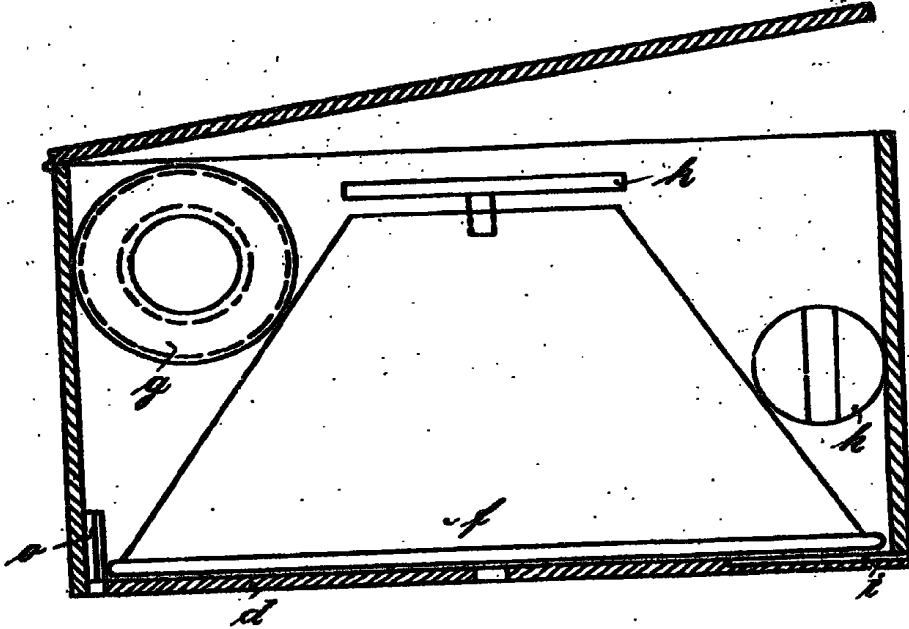
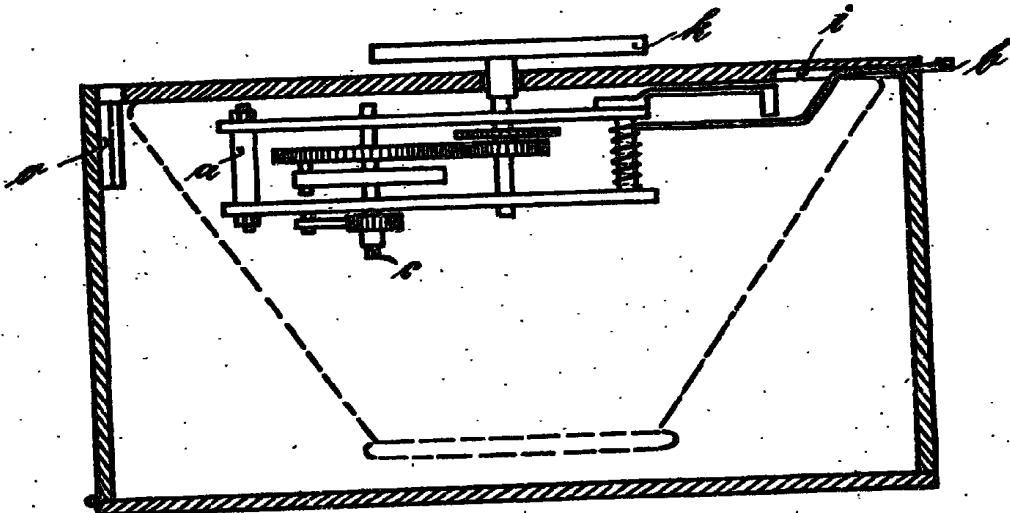


Fig. 2.



[This Drawing is a full-size reproduction of the original.]

L. B. BINGHAM  
REFERENCE LIBRARY  
PUBLIC LIBRARIAN'S

Malby & Sons, Photo-Litho.